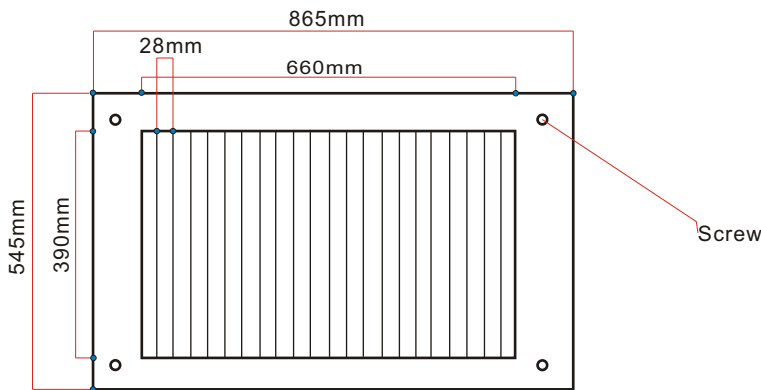


ITEM:SMF-30LP

Features:

- ⦿ Indoor use
- ⦿ Light around the image
- ⦿ Toughened glass
- ⦿ Black frame



Hardware specifications	Image specifications	Other info
<p>Frame size(mm): 865(w) x 545(h) x 80(d) approx.</p> <p>Package size(mm): 970(w) x 600(h) x 120(d) approx.</p> <p>Weight: 15Kg(in one carton)/12Kg approx.</p>	<p>Image size(mm): 660(w) x 390(h) approx.</p> <p>Pause time of image: 10 seconds approx.</p> <p>Turning type: left to right</p>	<p>Prism width: 28mm</p> <p>Power: 110V/220V; 50Hz/60Hz; 20W(includes light)</p>